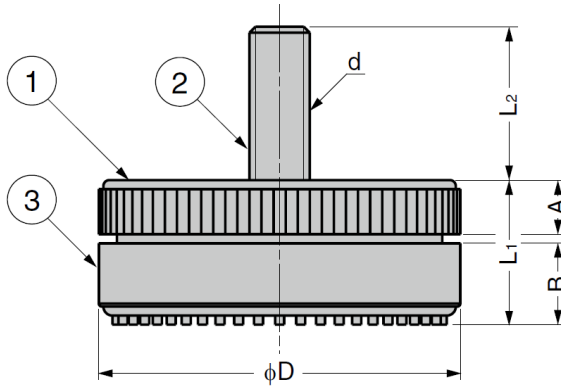


## GA800 Levelling Glide

### Features

- Body and base can be rotated separately, making it possible to adjust after installation
- Levelling glide with plastic base to prevent scratching of floor



No.	Part Name	Material	Finish/Colour
①	Body	PA	Black
②	Threaded Bolt	Steel (SWCH)	Coloured Zinc Chromate (Trivalent)
③	Base	PUR	Black

Part No.	L <sub>1</sub>	L <sub>2</sub>	D	d	Load Capacity (per piece)	
GA800-40L	23	24	40	M8	588 N	60 kg
GA800-40HL	54	32				
GA800-50L	24	25.5	50	M10		
GA800-50HL	54	34				
GA800-60L	24	26	60			